

Feature -

- noiseless
- bi-color LED illuminated available
- long electrical life cycles
- long contact travel
- SPST, momentary function

Application -

- audio / video products.
- instrumentation
- communication equipments

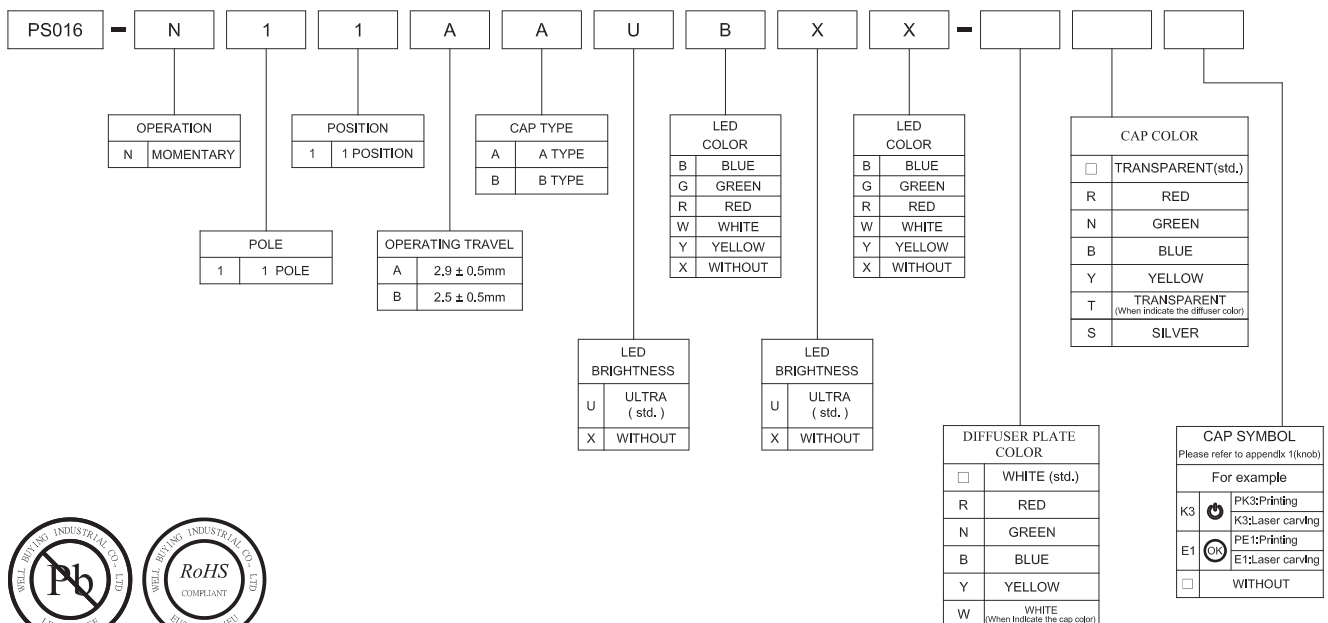
► SPECIFICATIONS

SWITCH SPECIFICATIONS	
POLE - POSITION	OFF - ON for Momentary Type , SPST
RATING	POWER : 1 Watt MAX. CURRENT : 50uA MIN. / 100mA max. VOLTAGE : DC 20V MAX.
CONTACT RESISTANCE	150 mΩ MAX.
BREAKDOWN VOLTAGE	230 V DC
INSULATION RESISTANCE	10 MΩ MIN. 500 V DC
DIELECTRIC STRENGTH	Breakdown is not Allowable ; 500 V AC for 1 Minute
OPERATING FORCE	250 ± 50 gf
OPERATING LIFE	50,000,000 cycles
TEMPERATURE RANGE	OPERATING : -5°C ~ 60°C STORAGE : -40°C ~ 90°C
TOTAL TRAVEL	3.3 ± 0.3 mm

LED SPECIFICATIONS		Value / LED Color			
ATTENTION LEDs are Electrostatic Sensitive devices	Unit	Blue	Green	Red	Yellow
		FORWARD CURRENT	If	20	20
REVERSE VOLTAGE	Vr	5.0	5.0	5.0	5.0
REVERSE CURRENT	Ir	50	10	10	10
FORWARD VOLTAGE@20mA	Vf	3.3-4.0	2.1-2.5	2.0-2.5	2.0-2.5
LUMINOUS INTENSITY@20mA	Iv	40	60	280	80

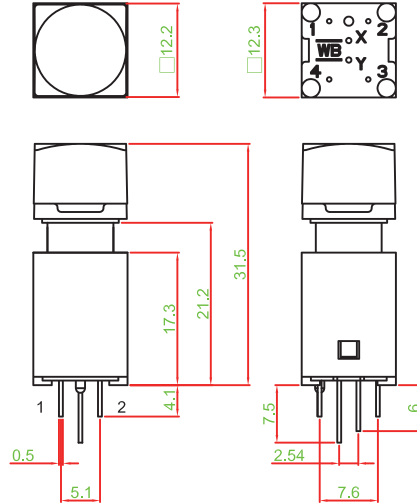
■ Physical and electrical information of LED will be provided upon customer's request on switches .

► HOW TO ORDER

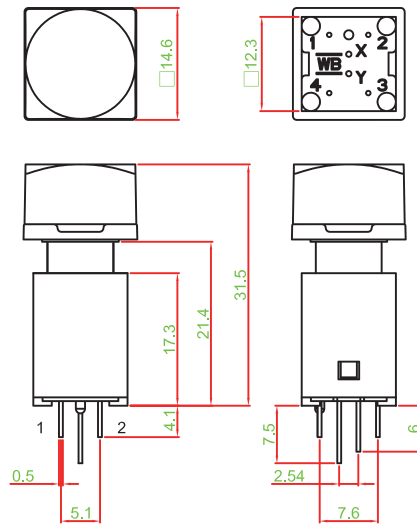


▶ DIMENSION

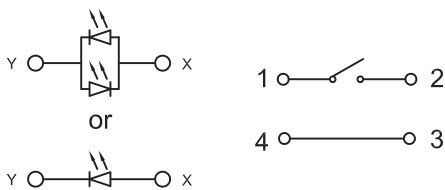
PS016 - N11AA □□□□



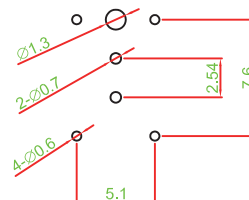
PS016 - N11AB □□□□



▶ CIRCUIT



▶ P.C.B LAYOUT



▶ MATERIAL

- COVER : PC
- BASE FRAME : PA + GF
- ACTUATOR : POM
- TERMINAL : SILVER PLATING

	0	1	2	3	4	5	6	7	8	9	10	11	12	13	14	15	16	17	18	19
A	0	1	2	3	4	5	6	7	8	9	10	11	12	13	14	15	16	17	18	19
B	A	B	C	D	E	F	G	H	I	J	CH5	CH6	DSK	PIP	C-KEY	CUT	TAKE	REC	ENG	PROD
C	K	L	M	N	O	P	Q	R	S	T	REPLAY	RET1	RET2	KEY ON	AUTO TAKE					
D	U	V	W	X	Y	Z	POWER	ON OFF	ON	OFF		USER A	USER B	USER C	USER D	USER E	USER F	USER G	USER H	USER I
E	OK		Auto	Enter	Start	STOP	OPEN	CLOSE	Exit	Move	USER J								M-1	
F	SET	Reset	Light	Alarm	Menu	Next	Back	Delete	Motor	Save										
G	Up	Down	Right	Left	Test	End	Insert	Lock	Print	+/-							IN PORT	SOS		TC
H	ESC	BC.	HOME	Health	D-LED 2	OC GENE	VIDEO INPUT	clr CMOS	Green Power	Save OK	P1	P2	P3	P4	P5	DC	AC			TURBO
I				F1	F2	F3	F4	F5	F6	F7	SEEK	TRACK	RNA	AS/RPT	Select		SET	ON	OFF	UP
J	F8	F9	F10	F11	F12	F13	F14	IN 1	IN 2	IN 3						ON AIR		D.	M.	
K	IN 4	IN 5	IN 6												HDMI	VGA				
L	+	-	x		=						MON	ITEM	C/S	GAS	PUMP ON/OFF	PURGE	R/HR	PARL	IOD	
M											FILL	LO RANGE	MID RANGE	MID	HI RANGE	GPD	EFF LEVEL			
N																				
O																				
P							Config.	TIME LINE	ME1	ME2										
Q	ME3	ME4	BOND 3D DVE1	BOND 3D DVE2	BUS COLOR	ME BUTTON LINK	*	INSERT	WIPE											
R		ALL		VP		COPY		RECORD MODE												
S			MUTE																	
T		hold	group	m1	m2	m3	m4	m5	t1	t2										
U	s1	s2	chair	undo	redo	touch	store	recall	e1	e2										
V	e3	e4	OC			CLEAR	CROSS WIND	AMMO TEMP	BARO PERSS	AIR TEMP										
W	BORE-SIGHT	CANT	LEAD	RANGE	MRS	ZERO	TEST	UD	LR											
X	ID	Disp	M/F	CALL	.	BAND	SETUP	MODE	LINK	FUNC.										
Y	SHIFT					DEL														
Z			T	RUN	2D	3D	CH1	CH2	CH3	CH4										